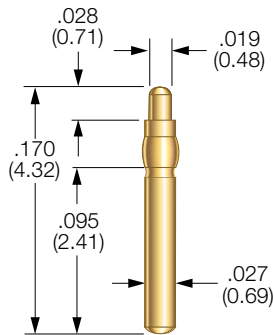
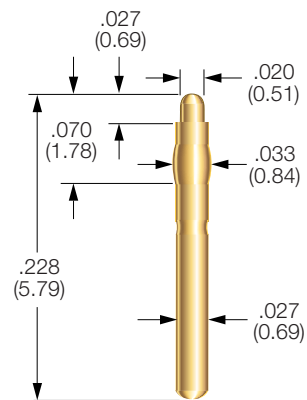


Battery and Connector Probes

101506



101294 PROBE



PROBE SPECIFICATIONS

Minimum Centers: .050 (1.27)
Current Rating: 5 amps continuous
 (Individual probe in free air @ ambient temperature)
Spring Force: 1.38 oz. (39g) @ .020 (0.51) travel
Typical Resistance: < 20 mΩ
Maximum Travel: .028 (0.71)
Working Travel: .020 (0.51)

MATERIALS

Barrel: Nickel/silver, gold plated
Spring: Stainless steel, gold plated
Plunger: Beryllium copper, gold plated

PROBE SPECIFICATIONS

Minimum Centers: .050 (1.27)
Current Rating: 5 amps continuous
 (Individual probe in free air @ ambient temperature)
Spring Force: 0.9 oz. (26g) @ .020 (0.51) travel
Typical Resistance: < 20 mΩ
Maximum Travel: .027 (0.69)
Working Travel: .020 (0.51)

MATERIALS

Barrel: Nickel/silver, gold plated
Spring: Stainless steel, gold plated
Plunger: Beryllium copper, gold plated

HOW TO ORDER

101506-000

HOW TO ORDER

101294-000

Specifications subject to change without notice. Dimensions in inches (millimeters)